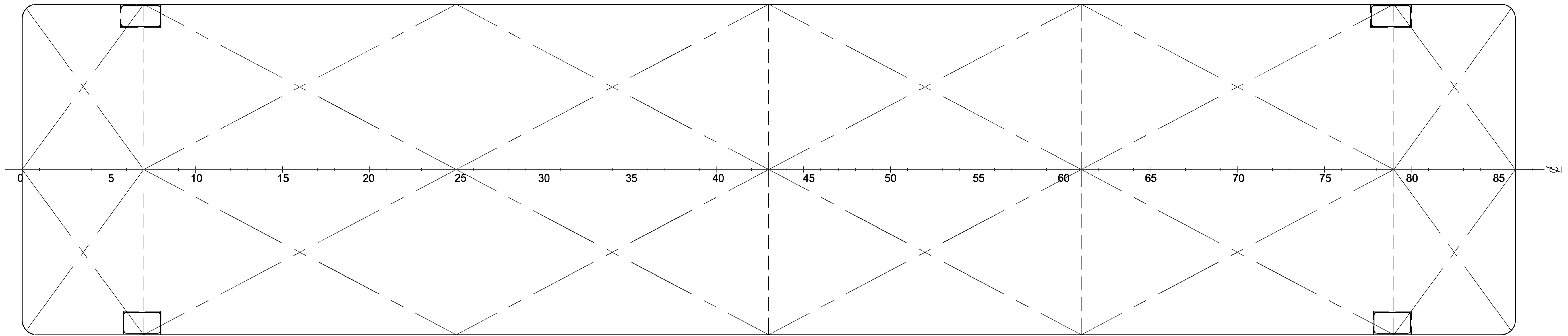
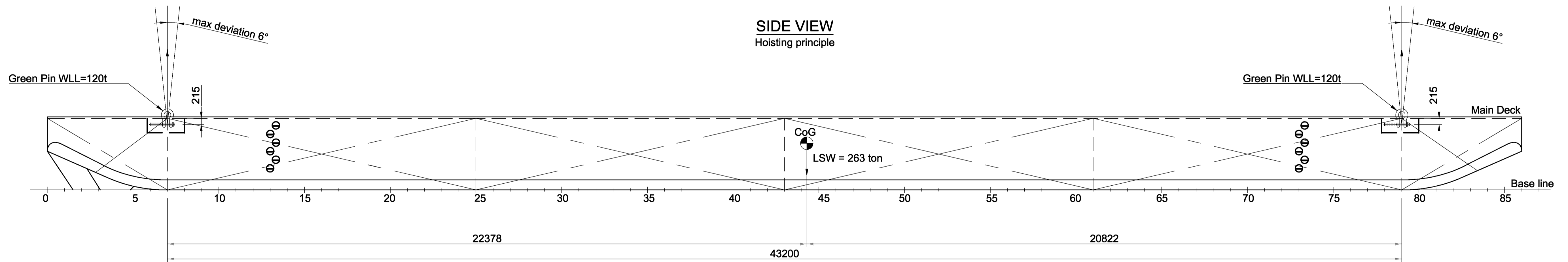


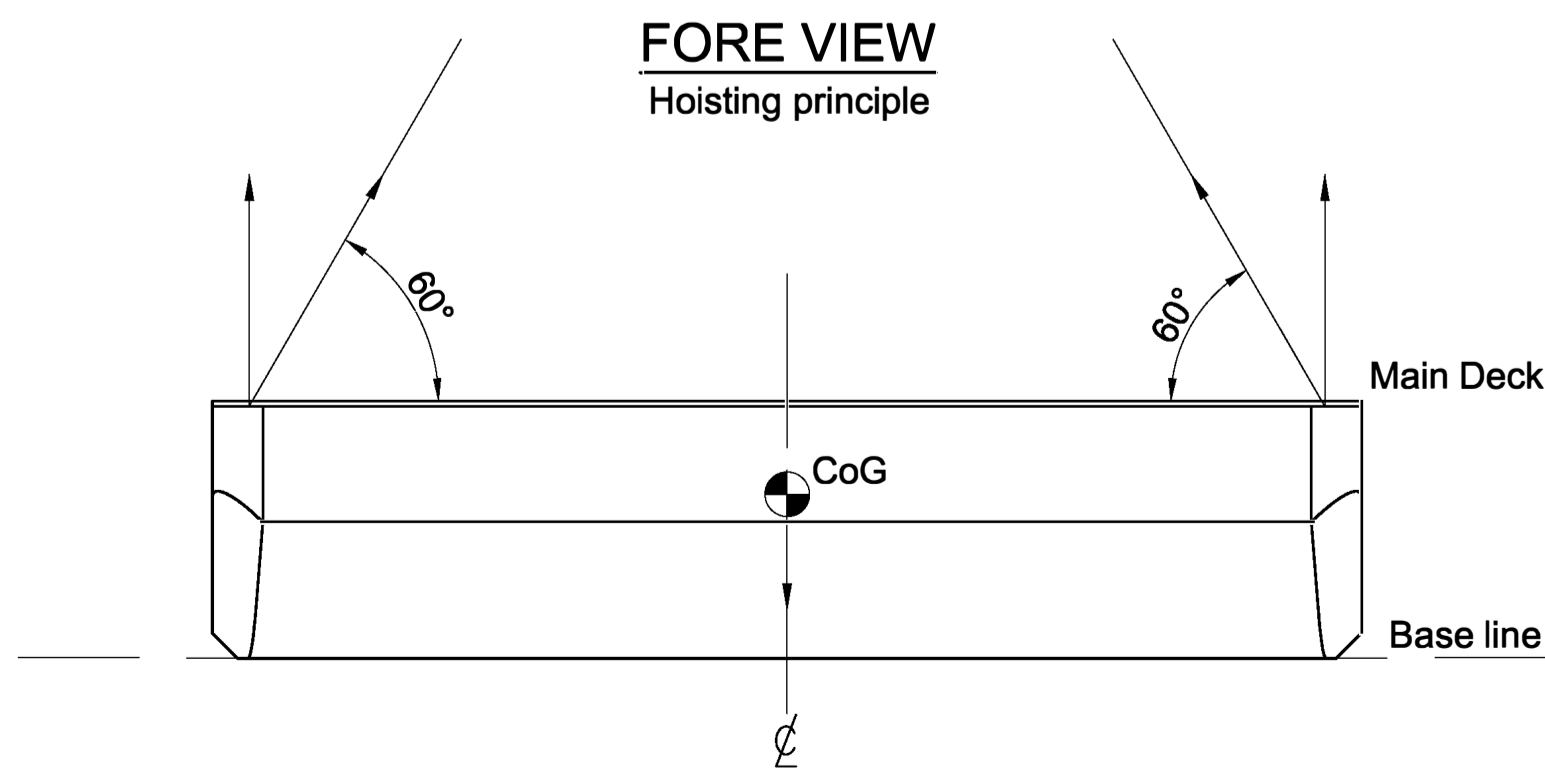
MAIN DECK VIEW



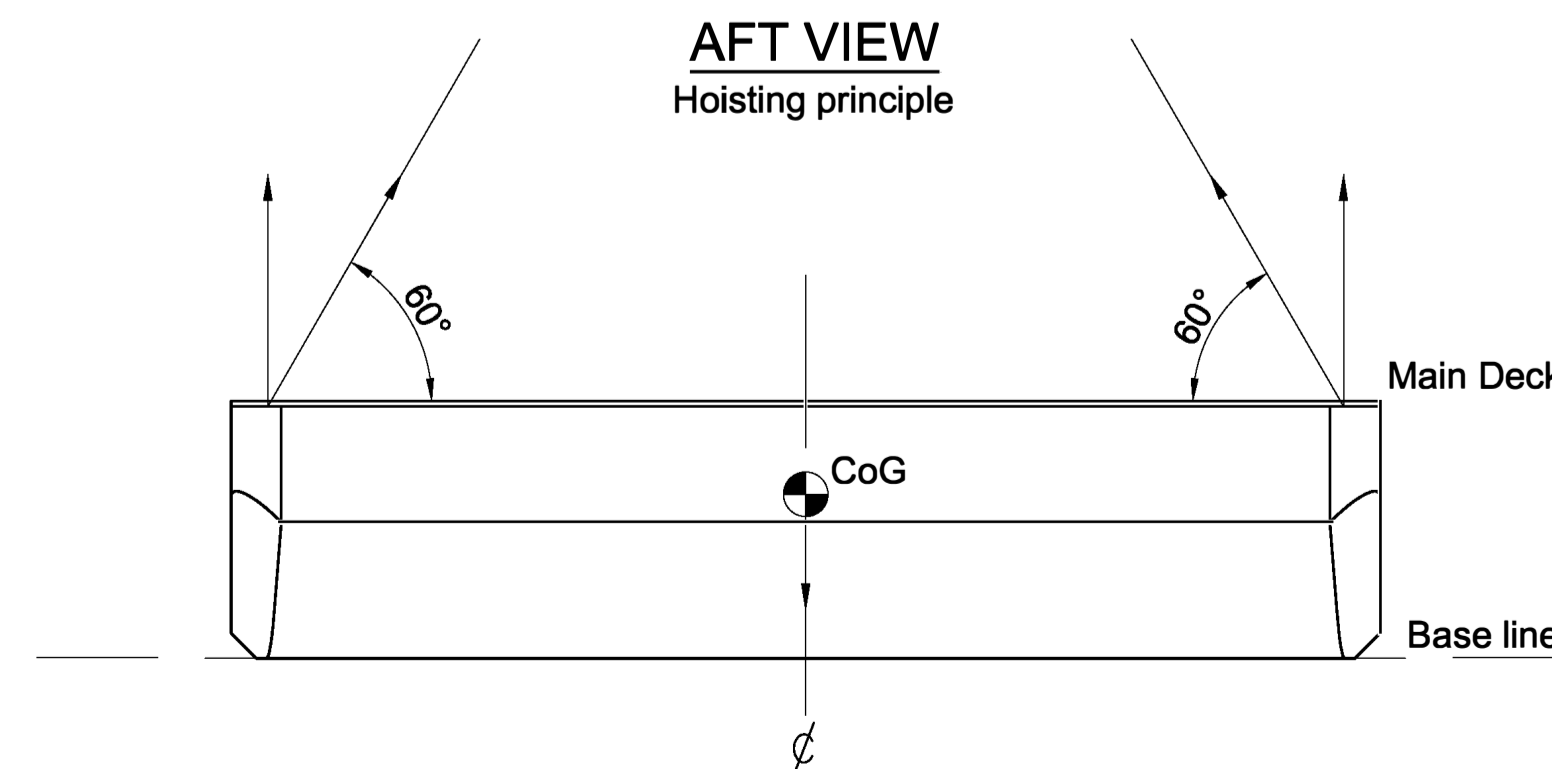
SIDE VIEW
Hoisting principle



FORE VIEW
Hoisting principle



AFT VIEW
Hoisting principle



NOTE

- Sharp edges and welding specks to be grounded smooth
- For welding table see dwg.2095629
- Material Lloyd's Register Grade A u.n.o., main pad eye grade AH36
- Angle between deck and shackle to be at least 60
- Designed for Pontoon B11 light ship weigh 263 [ton] with no extra ballast weight

Project No.	Function	154	Drawn	DC	Checked	DC	Date	2015-01-12
Yard No.	Section/Compartment				Document number		Sheet	Revision
					2095656		1	A01

Arrangement hoisting eyes

Doc class DRAW-2D		Derived from	
Project No.	Function	154	Drawn
Yard No.	Section/Compartment		